

Compressor unit

Soustrojí

Group number

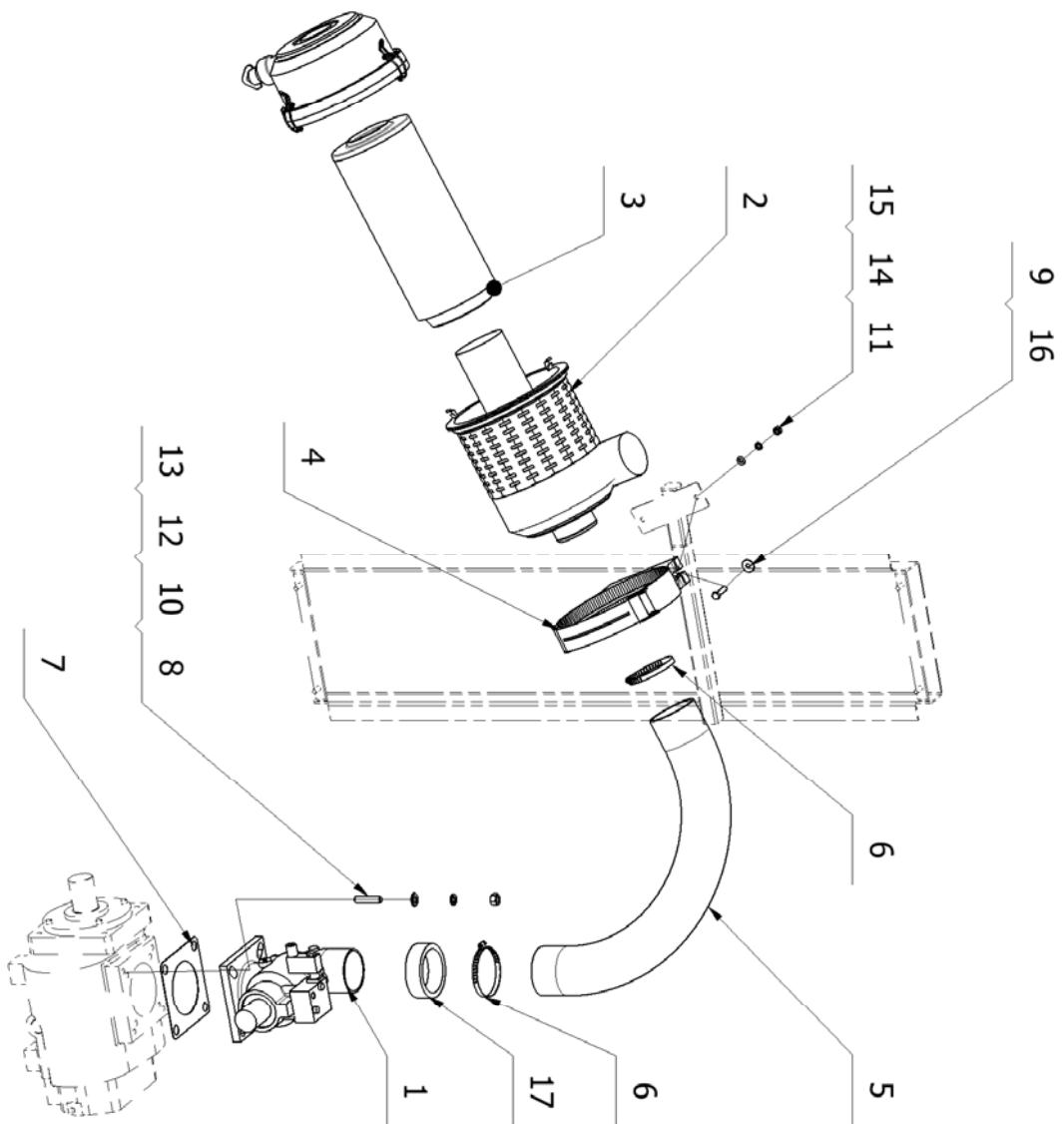
Číslo skupiny

Gruppennummer

Gruppo n°:

10

| Pos. Poz. Pos. Pos. | Name | Název dílu | Teil | Denominazione | Order number Objednací číslo Bestell-Nr. N° di ordinazione | Weight Hmotnost Gewicht Peso [kg] | Nb.of pieces Počet kusů Stückanzahl Numero pezzi | | | |
|---|------------------------|-------------------------|------------|---------------|---|---|---|----|-----|----|
| | | | | | | | I | II | III | IV |
| 19 | Bolt M16x50 | Šroub M16x50 | | | DIN 931 | | | | | |
| 20 | Bolt M12x80 | Šroub M16x80 | | | DIN 933 | | | | | |
| 21 | Stud bolt M12x70 | Šroub závrtný M12x70 | | | DIN 938 | | | | | |
| 22 | Stud bolt M12x30 | Šroub závrtný M12x30 | | | DIN 938 | | | | | |
| 23 | Hexagon bolt M12x25 | Šroub imbus M12x25 | | | DIN 7984 | | | | | |
| 24 | Butterfly bolt M6x10 | Šroub křídlový M6x10 | | | DIN 316 | | | | | |
| 25 | Nut M16 | Matice M16 | | | DIN 934 | | | | | |
| 26 | Nut M12 | Matice M12 | | | DIN 934 | | | | | |
| 27 | Plain washer 16 | Podložka 16 | | | DIN 125-1A | | | | | |
| 28 | Split washer 16 | Podložka pružná 16 | | | DIN 127 B | | | | | |
| 29 | Washer head bolt M6x12 | Šroub s nákrůžkem M6x12 | | | BN 4825 | | | | | |
| 30 | Plain washer 12 | Podložka velká 12 | | | DIN 9021 | | | | | |
| 31 | Split washer 12 | Podložka pružná 12 | | | DIN 127 B | | | | | |
| 32 | Plain washer 12 | Podložka 12 | | | DIN 125-1A | | | | | |
| 33 | Plug D35 | Zátka D35 | | | 320 410 448 000 | | | | | |
| | | | | | | | | | | |
| | | | | | | | | | | |
| | | | | | | | | | | |
| | | | | | | | | | | |
| | | | | | | | | | | |
| | | | | | | | | | | |
| | | | | | | | | | | |
| | | | | | | | | | | |
| | | | | | | | | | | |
| | | | | | | | | | | |
| | | | | | | | | | | |
| | | | | | | | | | | |
| | | | | | | | | | | |
| | | | | | | | | | | |
| | | | | | | | | | | |
| | | | | | | | | | | |
| | | | | | | | | | | |
| | | | | | | | | | | |
| | | | | | | | | | | |
| | | | | | | | | | | |
| Date / Datum / Datum / Data | Rev. I - 03.2006 | Rev. II - | Rev. III - | Rev. IV - | | | | | | |
| Ser. Nr. / Výr. č. / Prod. Nr. / Num. di fab. | (82 269 →) | | | | | | | | | |



Compressor suction**Sání kompresoru**

Group number

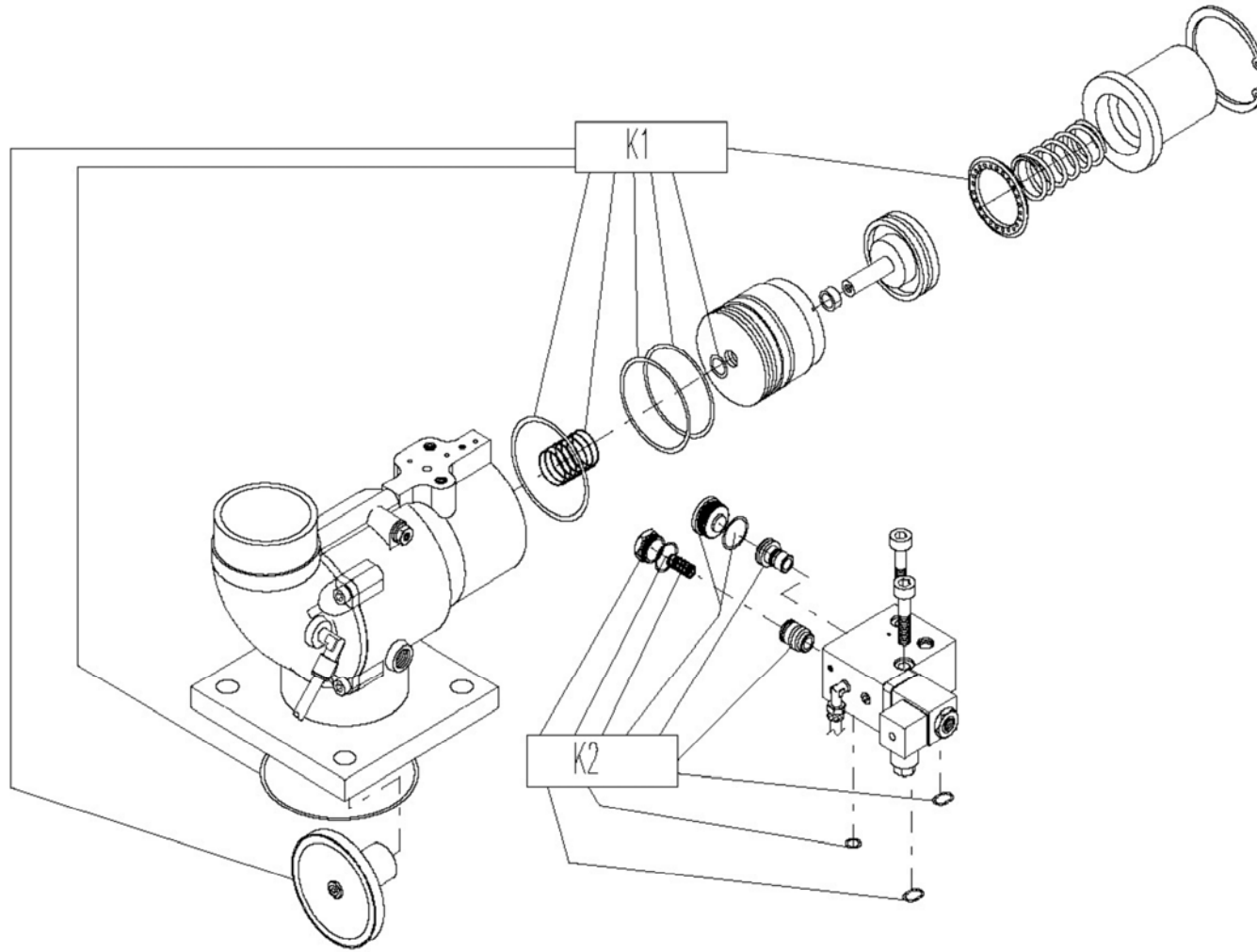
Číslo skupiny

Gruppennummer

Gruppo n°:

20

| Pos. Poz. Pos. Pos. | Name | Název dílu | Teil | Denominazione | Order number Objednací číslo Bestell-Nr. N° di ordinazione | Weight Hmotnost Gewicht Peso [kg] | Nb.of pieces Počet kusů Stückanzahl Numero pezzi | | | |
|---|----------------------|----------------------|------------|---------------|---|---|---|----|-----|----|
| | | | | | | | I | II | III | IV |
| 1 | Air intake valve | Regulátor sání | | | 427 900 095 090 | | | | | |
| 2 | Air filter | Filtr | | | 627 963 092 905 | | | | | |
| 3 | Air filter cartridge | Filtrační vložka | | | 627 962 142 164 | | | | | |
| 4 | Filter holder | Držák filtru | | | 627 963 040 995 | | | | | |
| 5 | Hose 100 | Hadice 100 | | | 283 363 100 000 | | | | | |
| 6 | Clip 90-100 | Spona 90-100 | | | 548 242 090 110 | | | | | |
| 7 | Sealing | Těsnění | | | 278 432 400 620 | | | | | |
| 8 | Stud bolt M12x35 | Šroub závrtný M12x35 | | | DIN 939 | | | | | |
| 9 | Bolt M8x30 | Šroub M8x30 | | | DIN 931 | | | | | |
| 10 | Nut M12 | Matice M12 | | | DIN 934 | | | | | |
| 11 | Nut M8 | Matice M8 | | | DIN 934 | | | | | |
| 12 | Plain washer 12 | Podložka velká 12 | | | DIN 9021 | | | | | |
| 13 | Split washer 12 | Podložka pružná 12 | | | DIN 127 B | | | | | |
| 14 | Plain washer 8 | Podložka 8 | | | DIN 125-1A | | | | | |
| 15 | Split washer 8 | Podložka pružná 8 | | | DIN 127 B | | | | | |
| 16 | Plain washer 8 | Podložka velká 8 | | | DIN 9021 | | | | | |
| 17 | Reduction | Redukce | | | 278 450 413 504 | | | | | |
| | | | | | | | | | | |
| | | | | | | | | | | |
| | | | | | | | | | | |
| | | | | | | | | | | |
| | | | | | | | | | | |
| | | | | | | | | | | |
| | | | | | | | | | | |
| | | | | | | | | | | |
| | | | | | | | | | | |
| | | | | | | | | | | |
| | | | | | | | | | | |
| | | | | | | | | | | |
| | | | | | | | | | | |
| Date / Datum / Datum / Data | Rev. I - 03.2006 | Rev. II - | Rev. III - | Rev. IV - | | | | | | |
| Ser. Nr. / Výt. č. / Prod. Nr. / Num. di fab. | (82 269 →) | | | | | | | | | |



Air intake valve
Group number

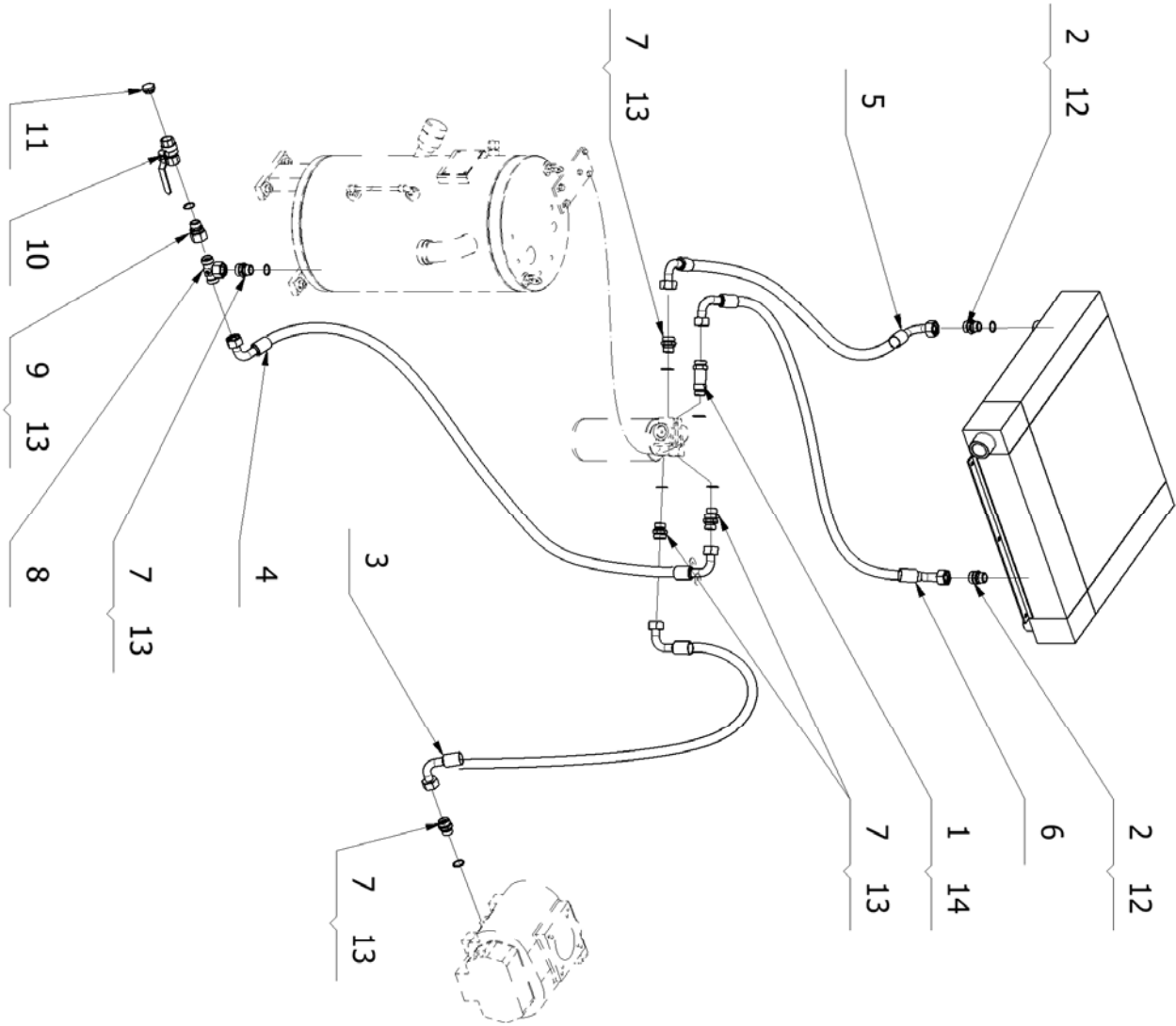
Regulátor sání
Číslo skupiny

Gruppennummer

Gruppo n°:

21

| Pos. Poz. Pos. Pos. | Name | Název dílu | Teil | Denominazione | Order number Objednací číslo Bestell-Nr. N° di ordinazione | Weight Hmotnost Gewicht Peso [kg] | Nb.of pieces Počet kusů Stückanzahl Numero pezzi | | | |
|---|--------------------------|-----------------------------|-----------|---------------|---|---|---|----|-----|----|
| | | | | | | | I | II | III | IV |
| K1 | Air intake repair kit K1 | Sada ND - těleso regulátoru | | | 427 900 095 163 | | | | | |
| K2 | Air intake repair kit K2 | Sada ND - blok ovládání | | | 427 900 095 166 | | | | | |
| | | | | | | | | | | |
| | | | | | | | | | | |
| | | | | | | | | | | |
| | | | | | | | | | | |
| | | | | | | | | | | |
| | | | | | | | | | | |
| | | | | | | | | | | |
| | | | | | | | | | | |
| | | | | | | | | | | |
| | | | | | | | | | | |
| | | | | | | | | | | |
| | | | | | | | | | | |
| | | | | | | | | | | |
| | | | | | | | | | | |
| | | | | | | | | | | |
| | | | | | | | | | | |
| | | | | | | | | | | |
| | | | | | | | | | | |
| | | | | | | | | | | |
| | | | | | | | | | | |
| | | | | | | | | | | |
| | | | | | | | | | | |
| | | | | | | | | | | |
| | | | | | | | | | | |
| | | | | | | | | | | |
| | | | | | | | | | | |
| | | | | | | | | | | |
| | | | | | | | | | | |
| | | | | | | | | | | |
| | | | | | | | | | | |
| | | | | | | | | | | |
| Date / Datum / Datum / Data | | Rev. I - 03.2006 | Rev. II - | Rev. III - | Rev. IV - | | | | | |
| Ser. Nr. / Výr. č. / Prod. Nr. / Num. di fab. | | (82 269 →) | | | | | | | | |



Oil circuit
Group number

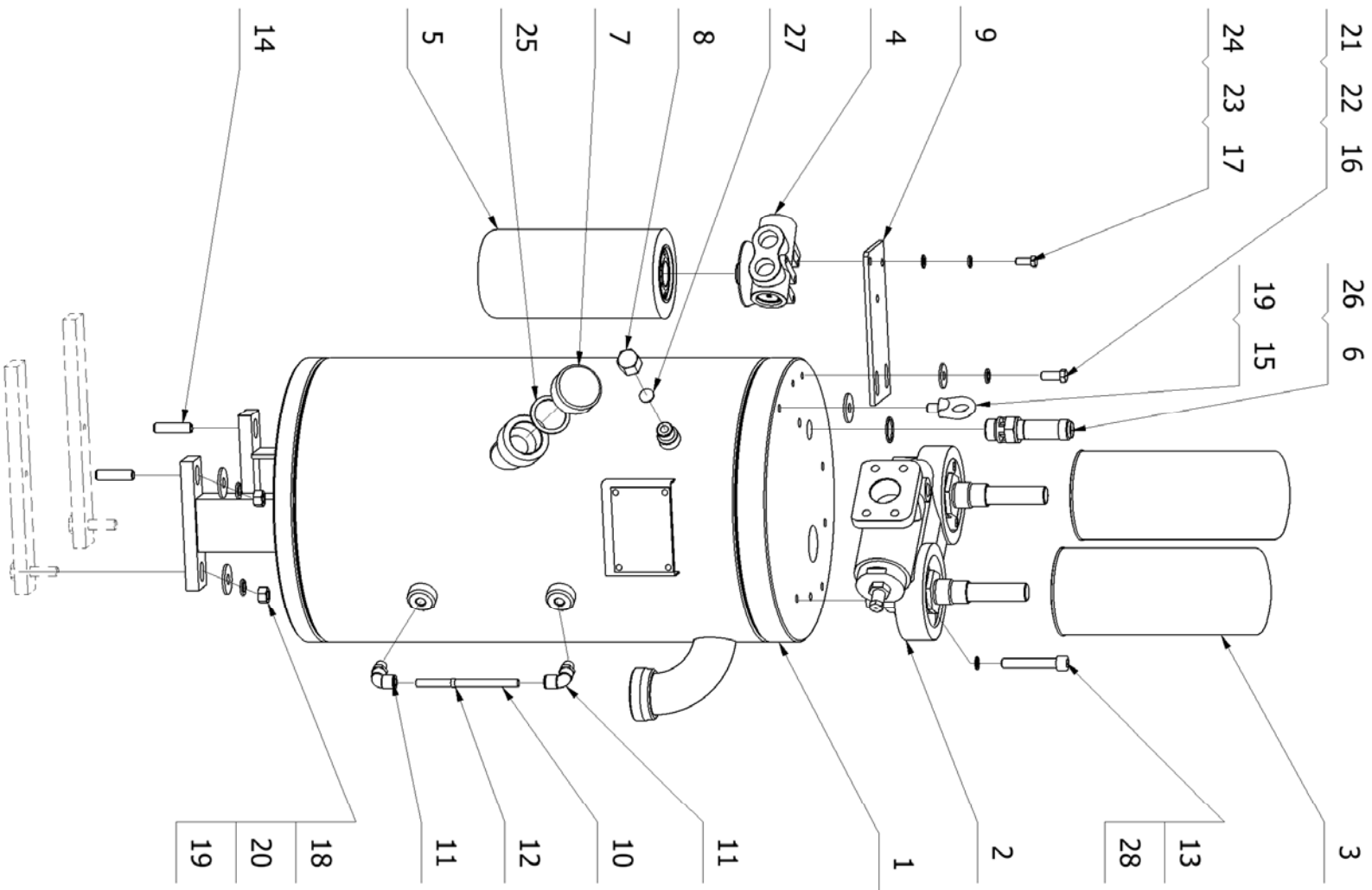
Olejevý system
Číslo skupiny

Gruppennummer

Gruppo n°:

30

| Pos. Poz. Pos. Pos. | Name | Název dílu | Teil | Denominazione | Order number Objednací číslo Bestell-Nr. N° di ordinazione | Weight Hmotnost Gewicht Peso [kg] | Nb. of pieces Počet kusů Stückanzahl Numero pezzi | | | |
|---|----------------------------------|------------------------------------|------|---------------|---|---|--|-----------|-----|----|
| | | | | | | | I | II | III | IV |
| 1 | Socket | Hrdlo | | | At 413 293 | | | | | |
| 2 | Socket | Hrdlo | | | At 410 756 | | | | | |
| 3 | Hose DN 20x520/2x90°/40° | Hadice DN 20x520/2x90°/40° | | | 336 644 200 525 | | | | | |
| 4 | Hose DN 20x850/2x45°/40° | Hadice DN 20x850/2x45°/40° | | | 336 644 200 849 | | | | | |
| 5 | Hose DN 20x950/2x90°/45° | Hadice DN 20x950/2x90°/45° | | | 336 644 200 952 | | | | | |
| 6 | Hose DN 20x1120/1x90°/1x45°/160° | Hadice DN 20x1120/1x90°/1x45°/160° | | | 336 644 201 141 | | | | | |
| 7 | Socket 3/4" | Hrdlo 3/4" | | | 319 416 416 410 | | | | | |
| 8 | T-piece | T-kus | | | 319 240 041 040 | | | | | |
| 9 | Socket 3/4" | Hrdlo 3/4" | | | 319 240 010 010 | | | | | |
| 10 | Cock G 3/4" | Kohout G 3/4" | | | 422 907 900 340 | | | | | |
| 11 | Plug G 3/4" | Zátka G 3/4" | | | 319 250 045 000 | | | | | |
| 12 | Gasket ring 33x2 | Těsnící kroužek ED 33x2 | | | 319 245 065 000 | | | | | |
| 13 | Gasket ring ED 26x1,5 | Těsnící kroužek ED 26x1,5 | | | 319 419 426 150 | | | | | |
| 14 | Gasket ring 27x32 | Těsnící kroužek 27x32 | | | DIN 7603 A | | | | | |
| | | | | | | | | | | |
| | | | | | | | | | | |
| | | | | | | | | | | |
| | | | | | | | | | | |
| | | | | | | | | | | |
| | | | | | | | | | | |
| | | | | | | | | | | |
| | | | | | | | | | | |
| | | | | | | | | | | |
| | | | | | | | | | | |
| | | | | | | | | | | |
| | | | | | | | | | | |
| | | | | | | | | | | |
| | | | | | | | | | | |
| | | | | | | | | | | |
| | | | | | | | | | | |
| | | | | | | | | | | |
| | | | | | | | | | | |
| | | | | | | | | | | |
| | | | | | | | | | | |
| | | | | | | | | | | |
| | | | | | | | | | | |
| | | | | | | | | | | |
| Date / Datum / Datum / Data | | Rev. I - 12.2007 | | Rev. II - | | Rev. III - | | Rev. IV - | | |
| Ser. Nr. / Výr. č. / Prod. Nr. / Num. di fab. | | (86 749 →) | | | | | | | | |



Separator vessel

Group number

Odlučovač

Číslo skupiny

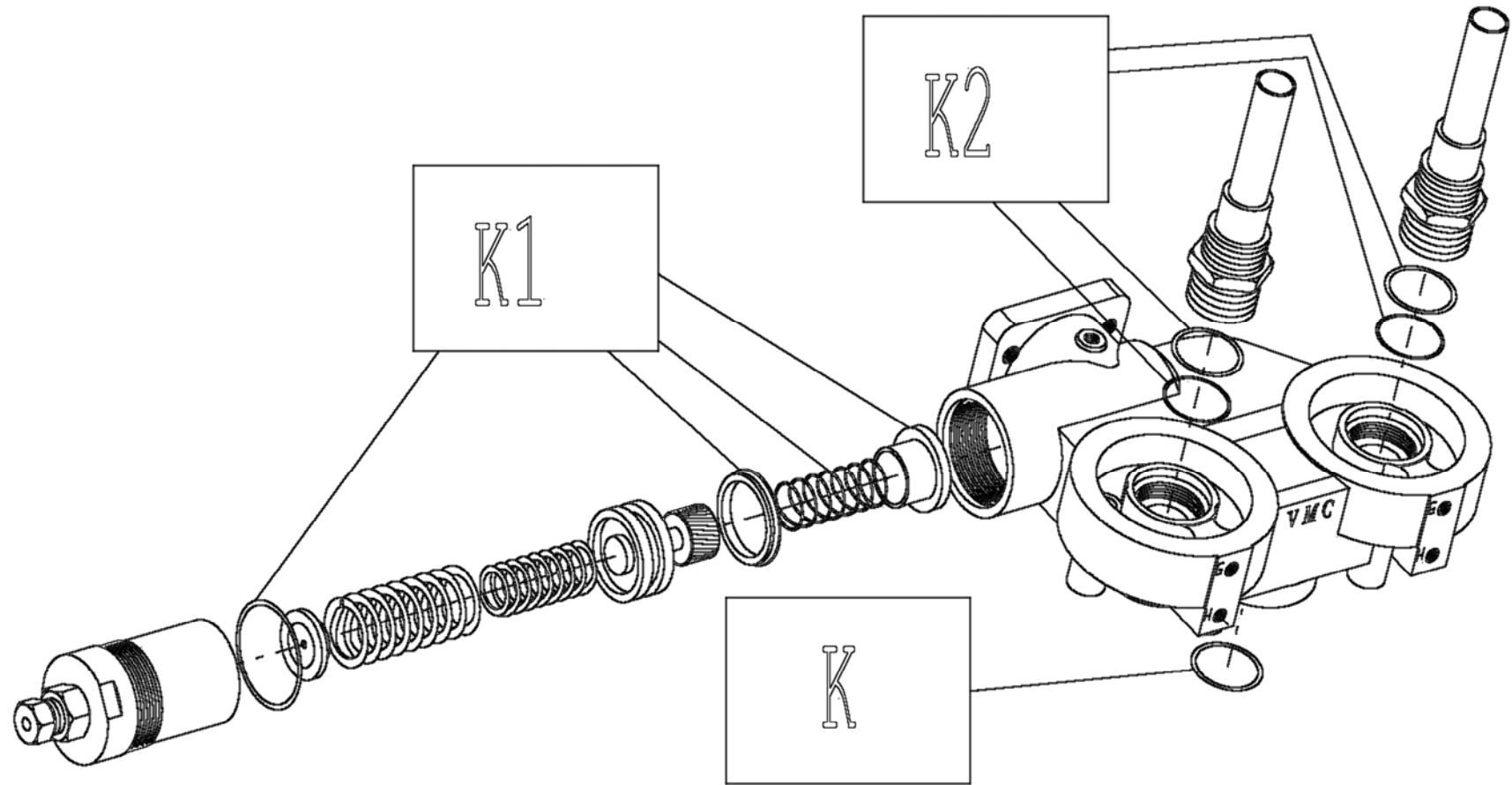
Gruppennummer

Gruppo n°:

31

| Pos. Poz. Pos. Pos. | Name | Název dílu | Teil | Denominazione | Order number Objednací číslo Bestell-Nr. N° di ordinazione | Weight Hmotnost Gewicht Peso [kg] | Nb. of pieces Počet kusů Stückanzahl Numero pezzi | | | |
|------------------------------|----------------------------|---------------------------|------|---------------|---|---|--|----|-----|----|
| | | | | | | | I | II | III | IV |
| 1 | Separator vessel | Nádoba odlučovače | | | At 101 828 | | | | | |
| 2 | Separator manifold | Integrovaný blok | | | At 413 500 | | | | | |
| 3 | Separator cartridge | Vložka odlučovače | | | 627 963 200 970 | | | | | |
| 4 | Thermostatic valve | Termostat | | | 427 900 095 092 | | | | | |
| 5 | Oil filter | Filtr oleje | | | 627 963 062 130 | | | | | |
| 6 | Safety valve G3/4" 9.5 bar | Poj. ventil G3/4" 9.5 bar | | | 427 905 400 002 | | | | | |
| 7 | Plug | Zátka | | | At 411 530 | | | | | |
| 8 | Plug | Uzavírací matice | | | Ks 512 726 | | | | | |
| 9 | Thermostat holder | Držák termostatu | | | At 413 002 | | | | | |
| 10 | Oil control tube 10mm | Olejoznak trubka 10mm | | | 443 423 823 921 | | | | | |
| 11 | Screw-coupling | Šroubení úhlové G1/4" | | | 319 250 140 151 | | | | | |
| 12 | Sticker MIN/MAX | Samolepka MIN/MAX | | | 735 650 650 005 | | | | | |
| 13 | Hexagon bolt M12x70 | Šroub imbus M12x70 | | | DIN 912 | | | | | |
| 14 | Stud bolt M12x35 | Šroub závrtný M12x35 | | | DIN 938 | | | | | |
| 15 | Suspension bolt M12 | Šroub závěsný M12 | | | DIN 580 | | | | | |
| 16 | Bolt M10x25 | Šroub M10x25 | | | DIN 933 | | | | | |
| 17 | Bolt M8x20 | Šroub M8x20 | | | DIN 933 | | | | | |
| 18 | Nut M12 | Matice M12 | | | DIN 934 | | | | | |
| 19 | Plain washer 12 | Podložka velká 12 | | | DIN 9021 | | | | | |
| 20 | Split washer 12 | Podložka pružná 12 | | | DIN 127 B | | | | | |
| 21 | Plain washer 10 | Podložka velká 10 | | | DIN 9021 | | | | | |
| 22 | Split washer 10 | Podložka pružná 10 | | | DIN 127 B | | | | | |
| 23 | Split washer 8 | Podložka pružná 8 | | | DIN 127 B | | | | | |
| 24 | Plain washer 8 | Podložka 8 | | | DIN 125-1A | | | | | |
| 25 | O-ring 50x40 | O-kroužek 50x40 | | | 273 111 010 244 | | | | | |
| 26 | Sealing ring 27x32 | Kroužek těsnicí 27x32 | | | DIN 7603 A | | | | | |
| 27 | Sealing ring 18x1,5 | Kroužek těsnicí 18x1.5 | | | 722 923 119 918 | | | | | |
| 28 | Sealing ring 12x16 | Kroužek těsnicí 12x16 | | | DIN 7603 A | | | | | |
| | | | | | | | | | | |
| | | | | | | | | | | |
| | | | | | | | | | | |
| | | | | | | | | | | |

Date / Datum / Datum / Data *Rev. I - 03.2006* *Rev. II -* *Rev. III -* *Rev. IV -*
Ser. Nr. / Výr. č. / Prod. Nr. / Num. di fab. *(82 269 →)*



Separator manifold
Group number

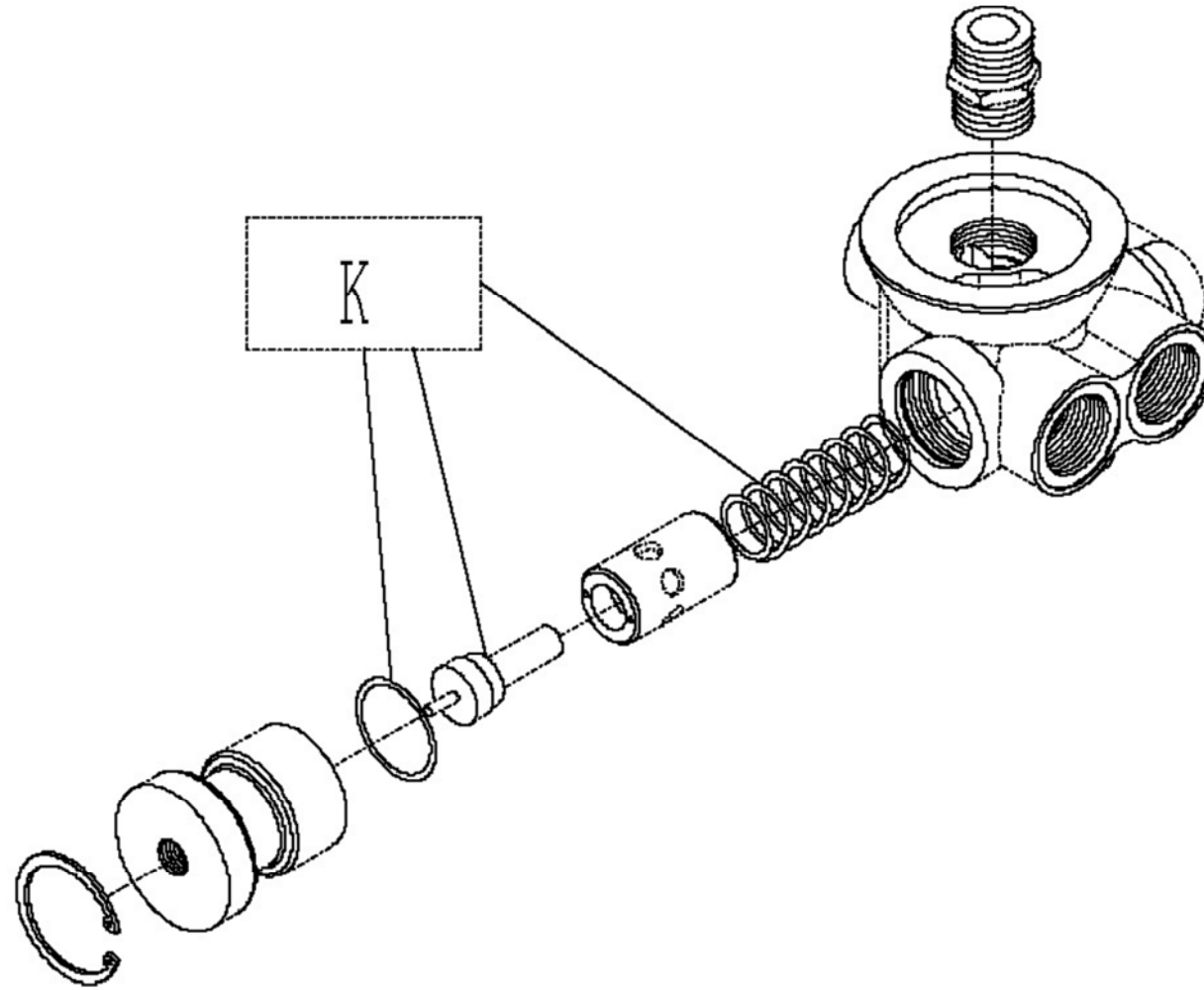
Integrovaný blok
Číslo skupiny

Gruppennummer

Gruppo n°:

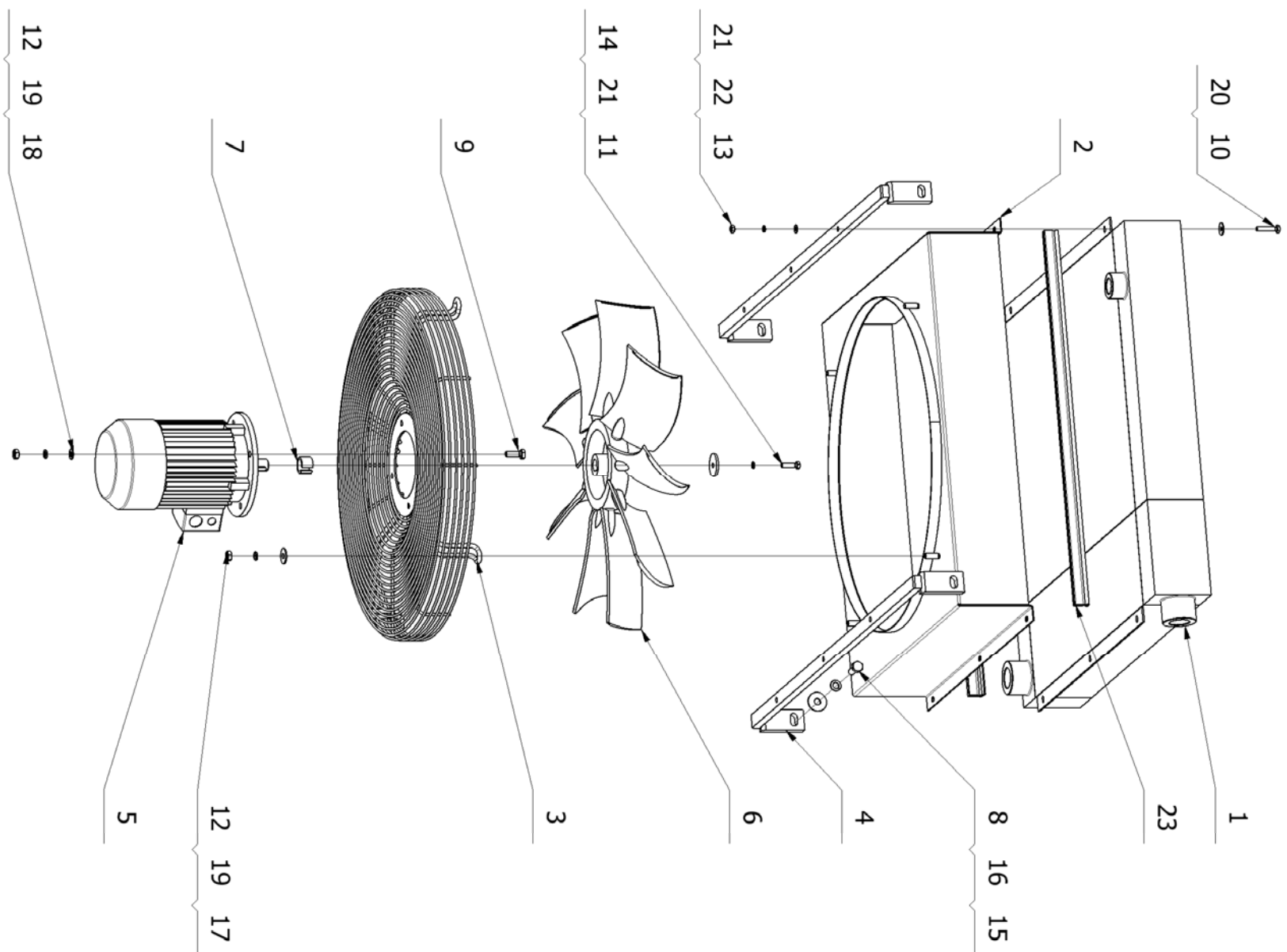
32

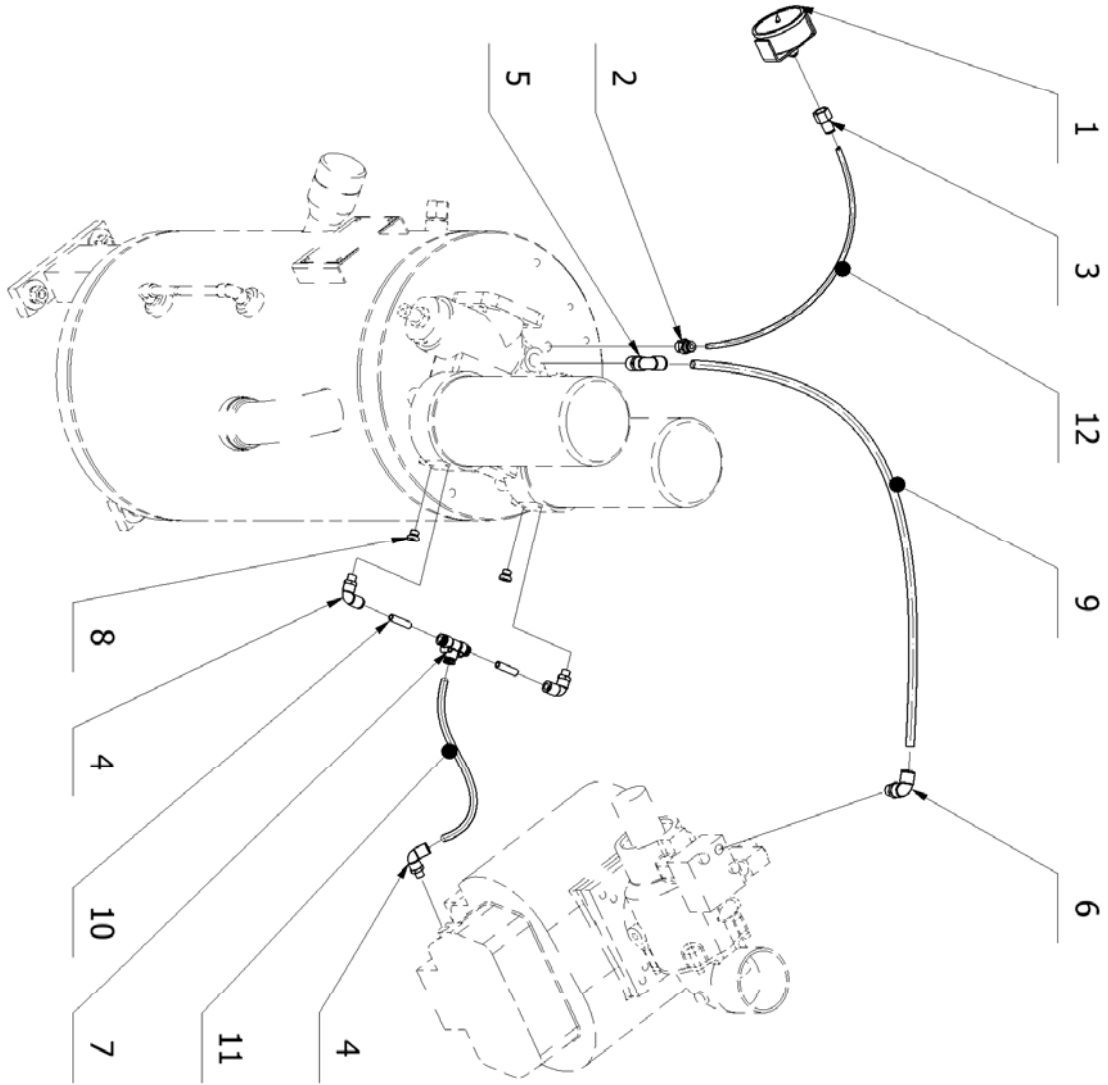
| Pos. Poz. Pos. Pos. | Name | Název dílu | Teil | Denominazione | Order number Objednací číslo Bestell-Nr. N° di ordinazione | Weight Hmotnost Gewicht Peso [kg] | Nb.of pieces Počet kusů Stückanzahl Numero pezzi | | | | |
|---|---------------------------------|-----------------------------|------|---------------|---|---|---|-----------|------------|-----------|--|
| | | | | | | | I | II | III | IV | |
| K1 | Separator manifold repair kit 1 | Sada ND - ventil min. tlaku | | | 427 900 095 162 | | | | | | |
| K2 | Separator manifold repair kit 2 | Sada ND - odlučovač | | | 427 900 095 164 | | | | | | |
| K | Sealing ring | Kroužek těsnící | | | 627 963 200 970 | | | | | | |
| | | | | | | | | | | | |
| | | | | | | | | | | | |
| | | | | | | | | | | | |
| | | | | | | | | | | | |
| | | | | | | | | | | | |
| | | | | | | | | | | | |
| | | | | | | | | | | | |
| | | | | | | | | | | | |
| | | | | | | | | | | | |
| | | | | | | | | | | | |
| | | | | | | | | | | | |
| | | | | | | | | | | | |
| | | | | | | | | | | | |
| | | | | | | | | | | | |
| | | | | | | | | | | | |
| | | | | | | | | | | | |
| | | | | | | | | | | | |
| | | | | | | | | | | | |
| | | | | | | | | | | | |
| | | | | | | | | | | | |
| | | | | | | | | | | | |
| | | | | | | | | | | | |
| | | | | | | | | | | | |
| | | | | | | | | | | | |
| | | | | | | | | | | | |
| | | | | | | | | | | | |
| | | | | | | | | | | | |
| | | | | | | | | | | | |
| | | | | | | | | | | | |
| | | | | | | | | | | | |
| | | | | | | | | | | | |
| | | | | | | | | | | | |
| | | | | | | | | | | | |
| | | | | | | | | | | | |
| Date / Datum / Datum / Data | | | | | | | Rev. I - 03.2006 | Rev. II - | Rev. III - | Rev. IV - | |
| Ser. Nr. / Výr. č. / Prod. Nr. / Num. di fab. | | | | | | | (82 269 →) | | | | |

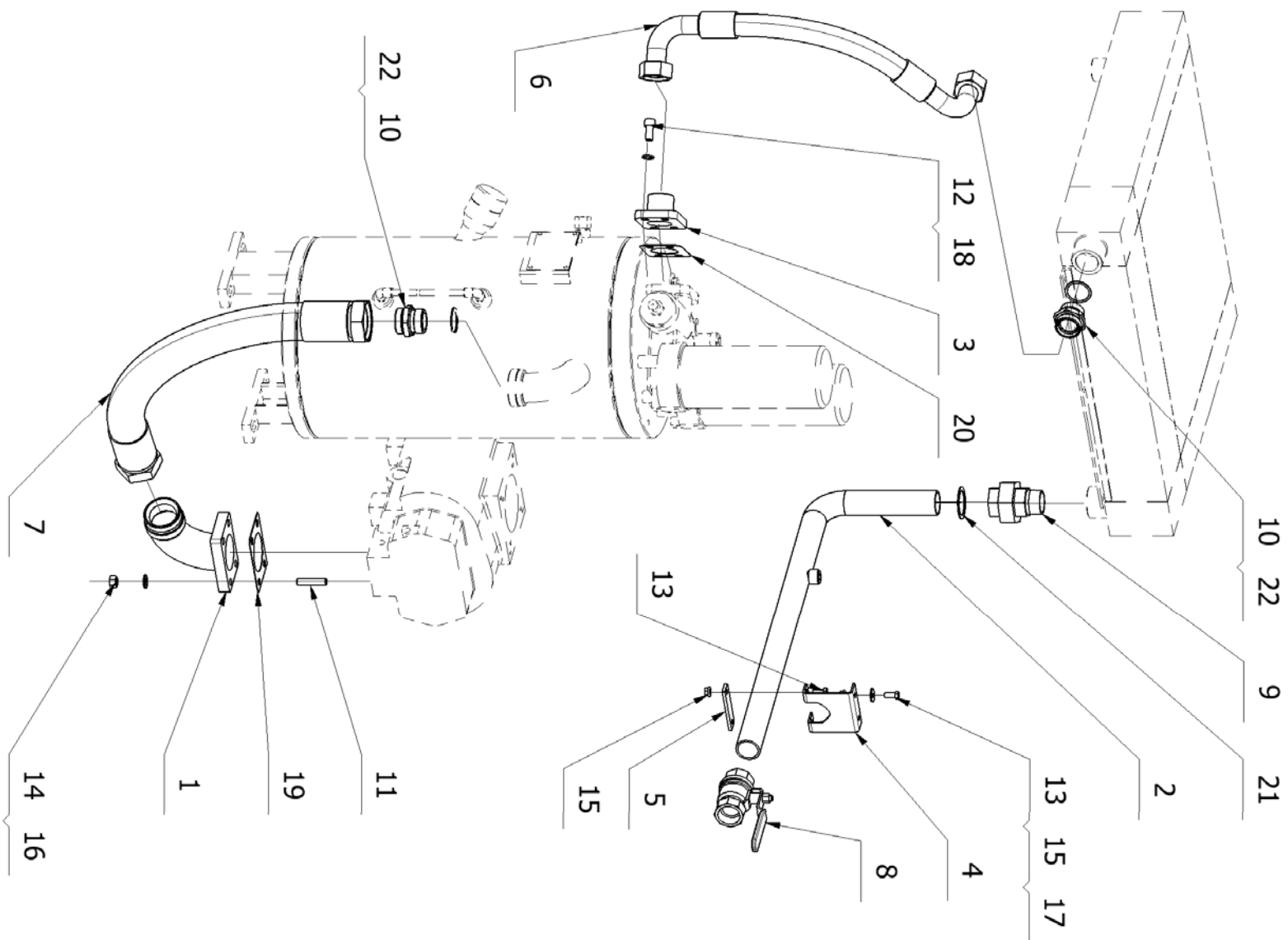


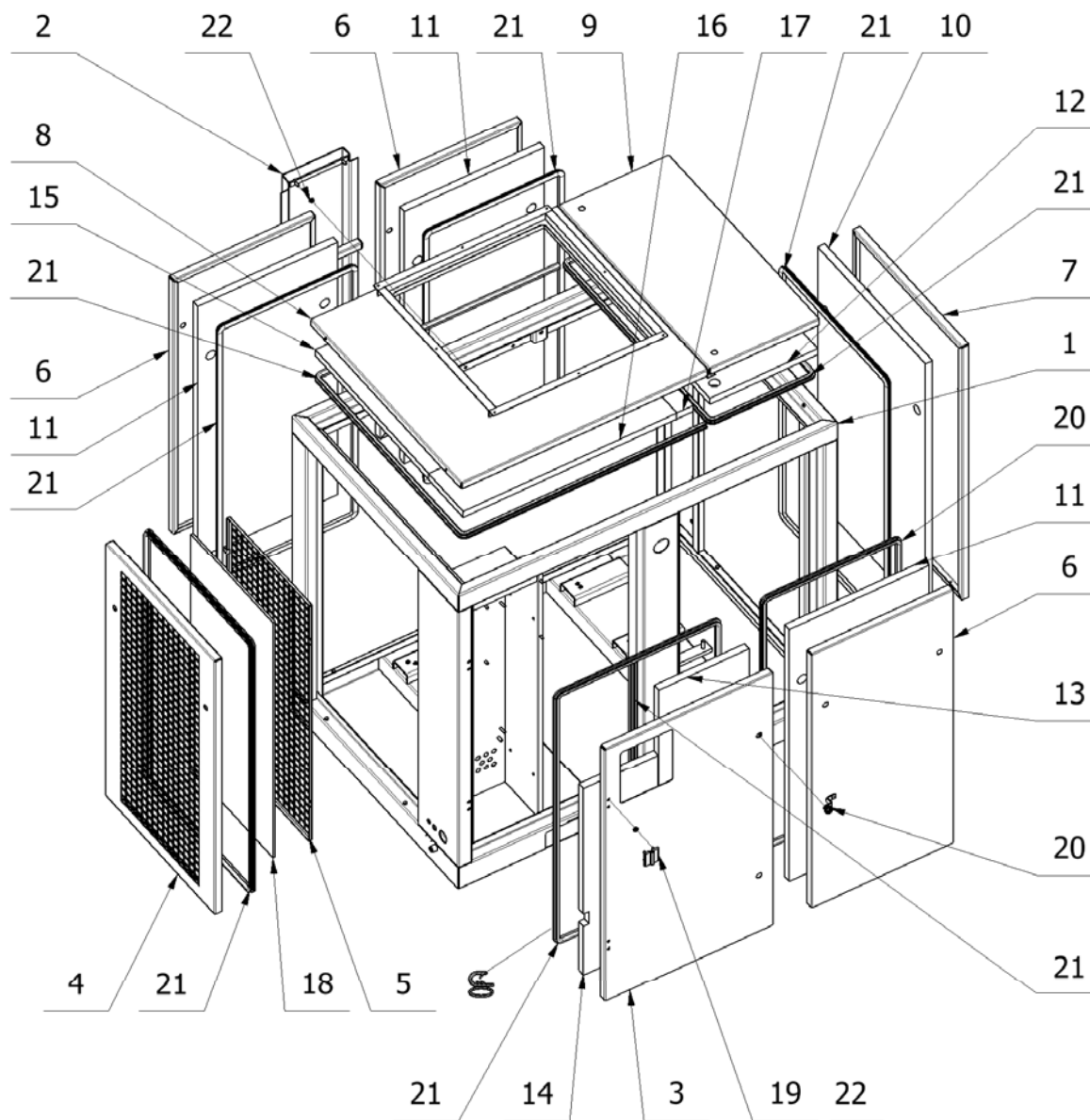
Thermostatic valve**Termostat***Group number**Číslo skupiny**Gruppennummer**Gruppo n°:***33**

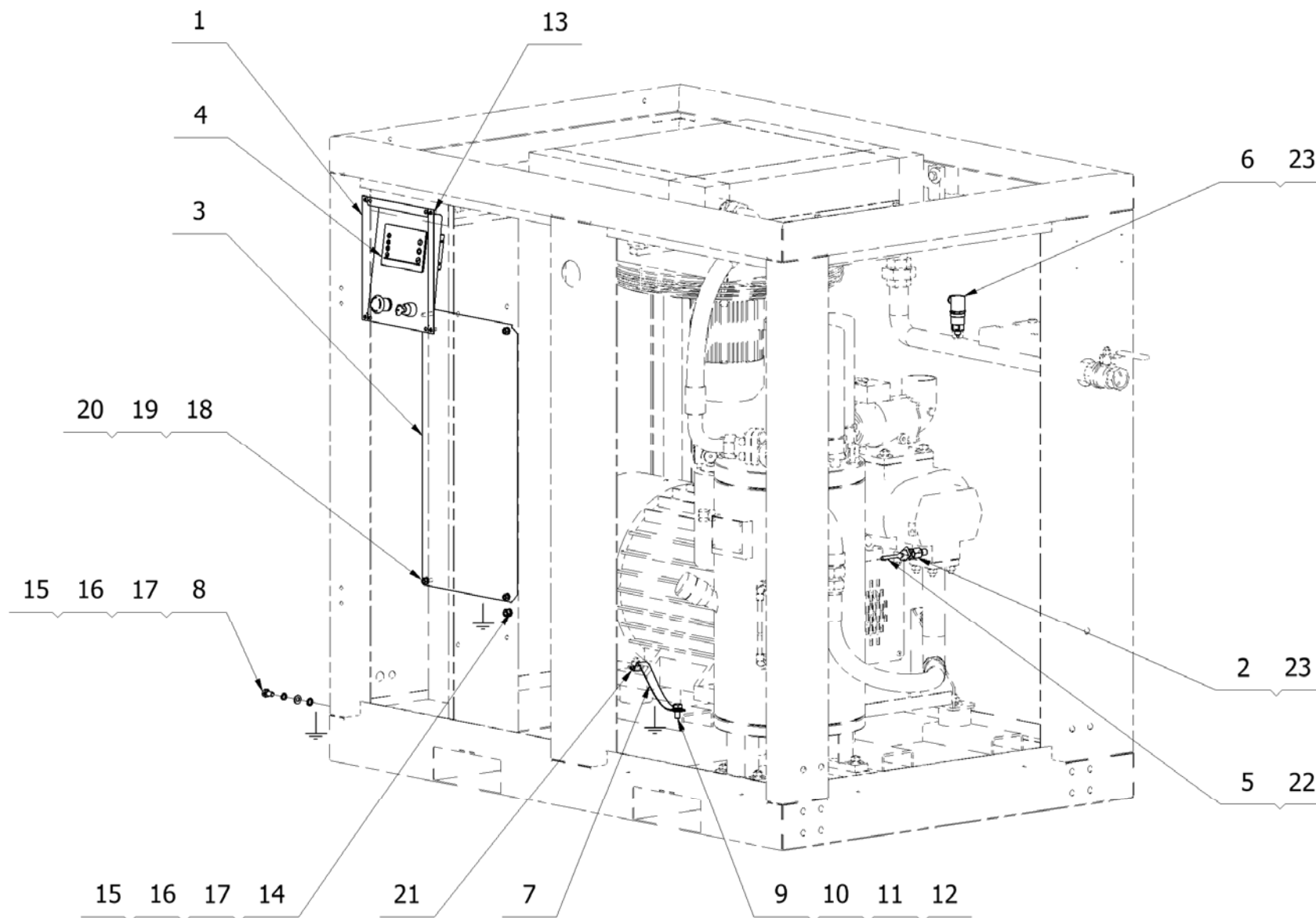
| Pos. Poz. Pos. Pos. | Name | Název dílu | Teil | Denominazione | Order number Objednací číslo Bestell-Nr. N° di ordinazione | Weight Hmotnost Gewicht Peso [kg] | Nb.of pieces Počet kusů Stückanzahl Numero pezzi | | | |
|--|------------------------------|--------------------------|------|------------------|---|---|---|------------------|-----|----|
| | | | | | | | I | II | III | IV |
| K | Therm. valve repair kit 71°C | Sada ND - termostat 71°C | | | 427 900 095 165 | | | | | |
| K | Therm. valve repair kit 83°C | Sada ND - termostat 83°C | | | 427 900 095 161 | | | | | |
| | | | | | | | | | | |
| | | | | | | | | | | |
| | | | | | | | | | | |
| | | | | | | | | | | |
| | | | | | | | | | | |
| | | | | | | | | | | |
| | | | | | | | | | | |
| | | | | | | | | | | |
| | | | | | | | | | | |
| | | | | | | | | | | |
| | | | | | | | | | | |
| | | | | | | | | | | |
| | | | | | | | | | | |
| | | | | | | | | | | |
| | | | | | | | | | | |
| | | | | | | | | | | |
| | | | | | | | | | | |
| | | | | | | | | | | |
| | | | | | | | | | | |
| <i>Date / Datum / Datum / Data</i> | | <i>Rev. I - 03.2006</i> | | <i>Rev. II -</i> | | <i>Rev. III -</i> | | <i>Rev. IV -</i> | | |
| <i>Ser. Nr. / Výr. č. / Prod. Nr. / Num. di fab.</i> | | <i>(82 269 →)</i> | | | | | | | | |











Electrical wiring
Group number

Elektrická instalace
Číslo skupiny

Gruppennummer

Gruppo n°:

90

| Pos. Poz. Pos. Pos. | Name | Název dílu | Teil | Denominazione | Order number Objednací číslo Bestell-Nr. N° di ordinazione | Weight Hmotnost Gewicht Peso [kg] | Nb.of pieces Počet kusů Stückanzahl Numero pezzi | | | |
|------------------------------|---------------------------|-----------------------|------|---------------|---|---|---|----|-----|----|
| | | | | | | | I | II | III | IV |
| 1 | Control panel | Ovládací panel | | | At 306 335 | | | | | |
| 2 | Reduction | Jímka | | | At 412 168 | | | | | |
| 3 | Switch board | Rozvaděč | | | | | | | | |
| 4 | Airmaster S1 | Airmaster S1 | | | 427 900 095 299 | | | | | |
| 5 | Temperature sensor | Snímač teploty | | | 427 900 095 317 | | | | | |
| 6 | Pressure sensor | Snímač tlaku | | | 427 900 095 314 | | | | | |
| 7 | Earth connection belt 300 | Uzemňovací pas 300 | | | 443 827 000 300 | | | | | |
| 8 | Bolt M10x20 | Šroub M10x20 | | | DIN 933 | | | | | |
| 9 | Bolt M12x25 | Šroub M12x25 | | | DIN 933 | | | | | |
| 10 | Plain washer 12 | Podložka 12 | | | DIN 125-1A | | | | | |
| 11 | Split washer 12 | Podložka pružná 12 | | | DIN 127 B | | | | | |
| 12 | Contact washer 12 | Podložka vějířová 12 | | | DIN 6798 A | | | | | |
| 13 | Flange nut M6 | Matice s nákrůžkem M6 | | | DIN 6923 | | | | | |
| 14 | Nut M10 | Matice M10 | | | DIN 934 | | | | | |
| 15 | Contact washer 10 | Podložka vějířová 10 | | | DIN 6798 A | | | | | |
| 16 | Plain washer 10 | Podložka 10 | | | DIN 125-1A | | | | | |
| 17 | Split washer 10 | Podložka pružná 10 | | | DIN 127 B | | | | | |
| 18 | Nut M8 | Matice M8 | | | DIN 934 | | | | | |
| 19 | Split washer 8 | Podložka pružná 8 | | | DIN 127 B | | | | | |
| 20 | Plain washer 8 | Podložka 8 | | | DIN 125-1A | | | | | |
| 21 | Contact washer 16 | Podložka vějířová 16 | | | DIN 6798 A | | | | | |
| 22 | Sealing ring 17x22 | Kroužek těsnící 17x22 | | | DIN 7603 A | | | | | |
| 23 | Sealing ring 14x18 | Kroužek těsnící 14x18 | | | DIN 7603 A | | | | | |

Please always mention the serial number of the machine or switch board

Při objednávání komponent řídicího systému, ovládacího panelu nebo rozvaděče uvádějte vždy výrobní číslo rozvaděče kompresoru !

Date / Datum / Datum / Data

Rev. I - 03.2006

Rev. II -

Rev. III -

Rev. IV -

Ser. Nr. / Výr. č. / Prod. Nr. / Num. di fab.

(82 269 →)

